

# connect60

Legacy system

2008-2023

Discontinued



INSTRUCTION BOOKLET  
for use with system60 system (Standard)

info@connectexhibitions.co.uk

tel: Ed - 07958 468 427/ 01227 719 743

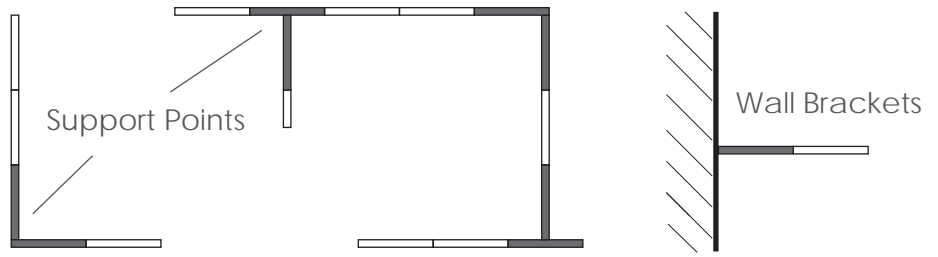
Connect Exhibitions Ltd  
Unit 13, Canterbury Industrial Park  
Island Road, Hersden  
Canterbury, Kent  
CT13 4HQ



# Layout Guide.

(Always read and follow the RULES printed on page 5)

1. Layouts are made up of two or more units in combinations of "L", "T" or "I" configurations that have natural Support Points at their junctions in order for the units to stand by themselves.

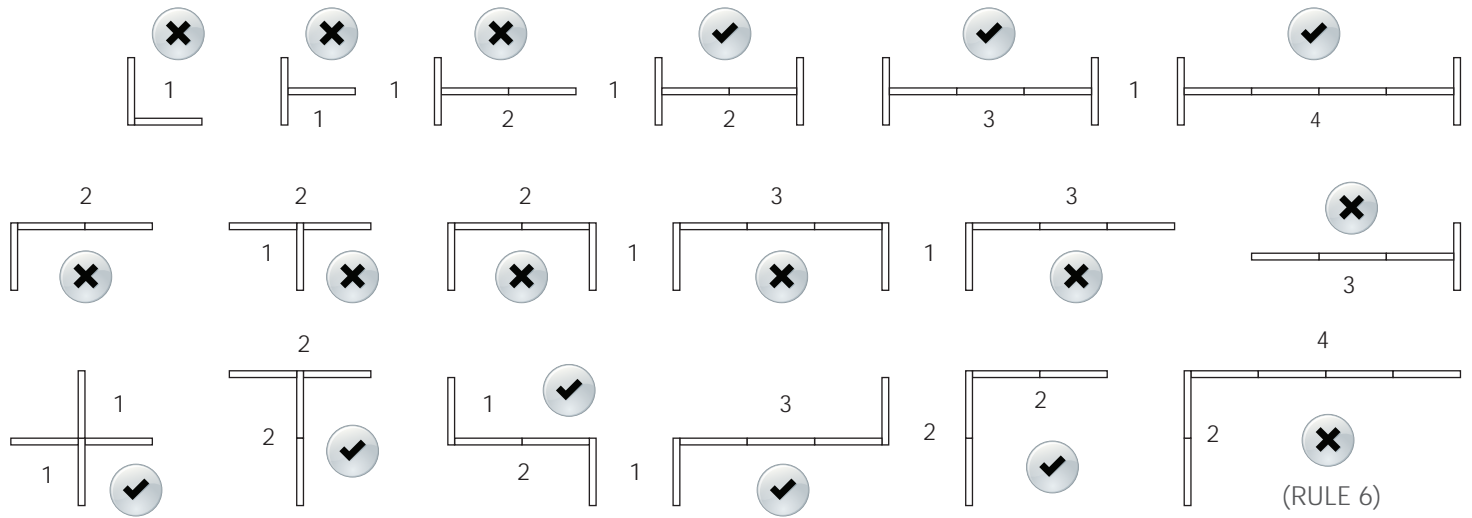


2. ONLY use combinations of the configurations marked with the with ✓ in your Layouts.

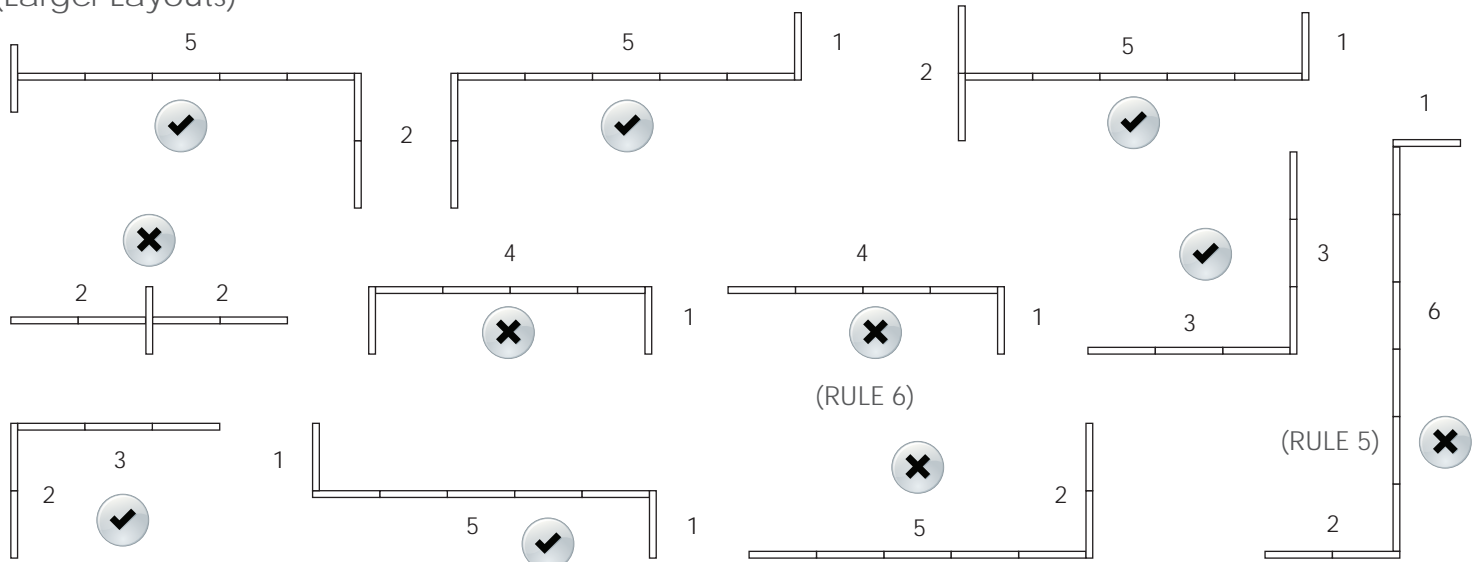


There are also Stands and Wall Brackets that can support the units.

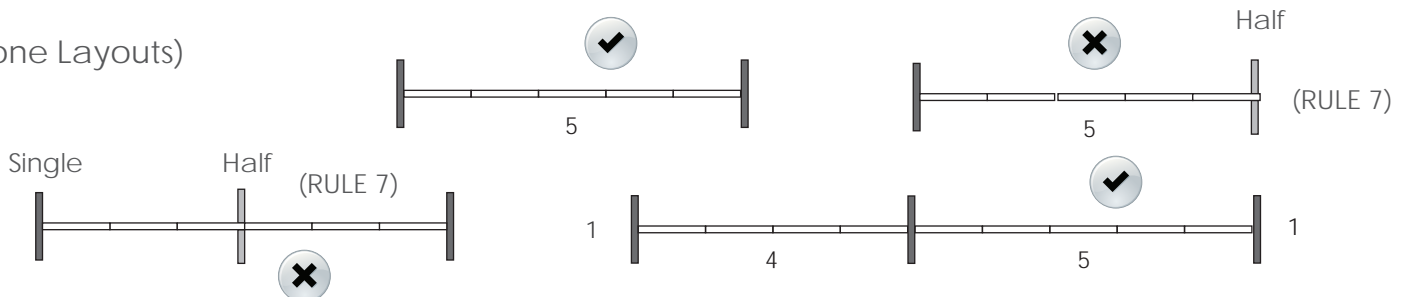
## (Small Layouts)



## (Larger Layouts)

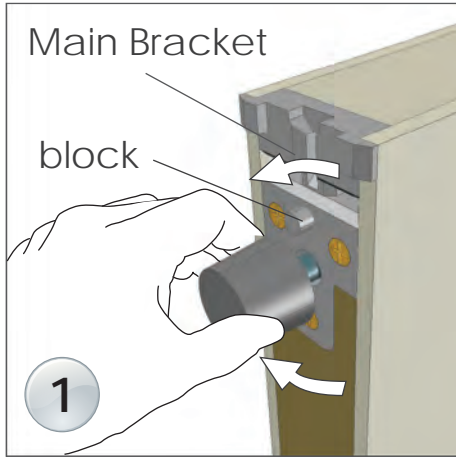


## (Fishbone Layouts)

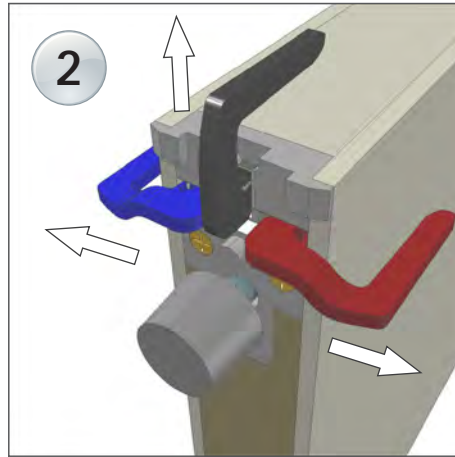


# Joiner Guide.

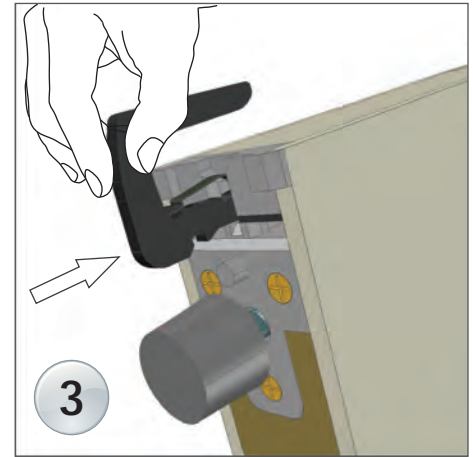
(Always read and follow the RULES printed on page 5)



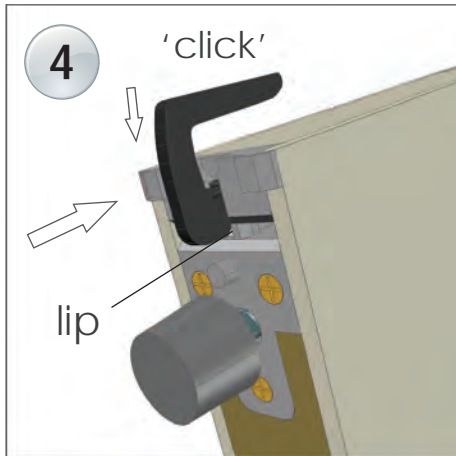
1. The Feet are set to the correct level by aligning their tops to the block on the main bracket.



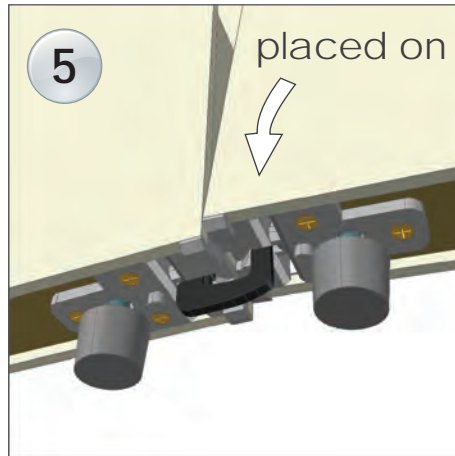
2. Base and Corner Clips are used in different directions on the main bracket.



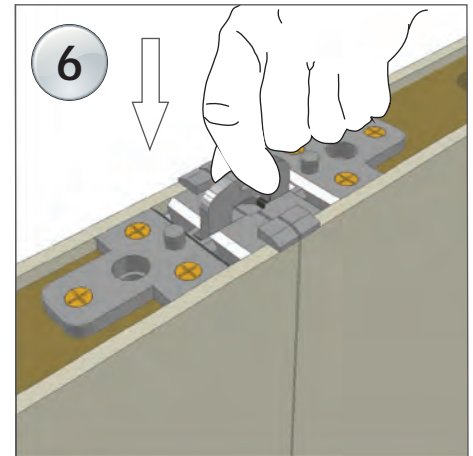
3. Insert the the spring side of the Base Clip into the main bracket.



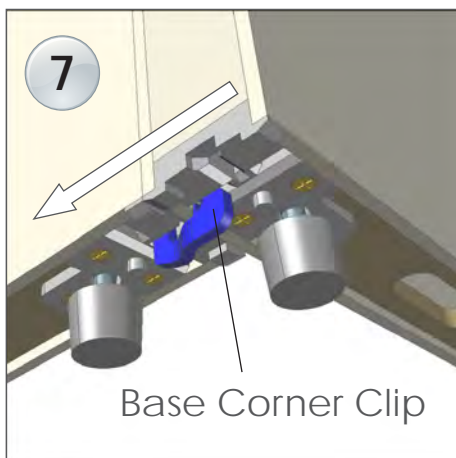
4. The Base Clip clicks back into place and securely fits under the lip of the main bracket.



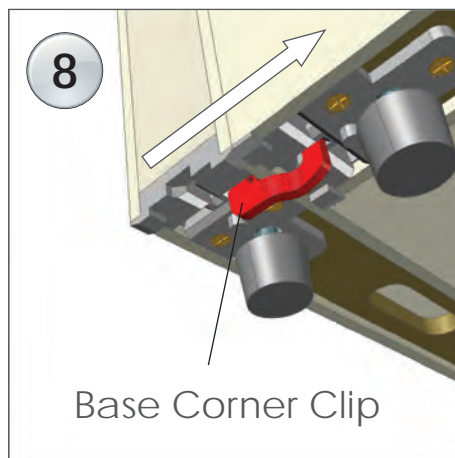
5. (At the base of the units) Place a unit onto another unit which has a Base Clip fitted.



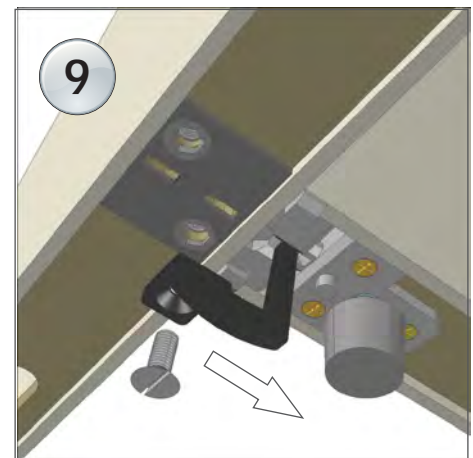
6. Insert the Top clip to join adjacent main brackets. Hammering lightly down will make sure it is fitted correctly.



7. The **BLUE** Corner Clip set (top and base) creates a left-hand flush corner - using the blank side of one unit.



8. The **RED** Corner Clip set (top and base) creates a right-hand flush corner - using the blank side of one unit.

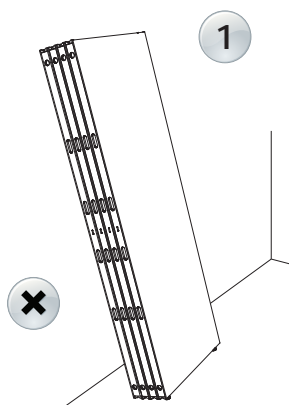


9. Two BLACK 'Mid Brackets' MUST be screwed to both the top and base of a 'Junction Unit' when creating a 'T' or 'X' support.

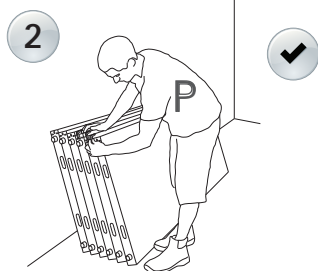
# Setup Guide.

(Always read and follow the RULES printed on page 5)

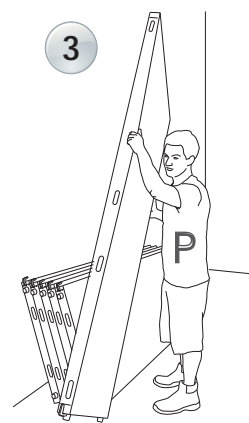
A layout must be setup by two people and they have two distinct roles to play - The '**HOLDER**' and the '**PLACER**'.



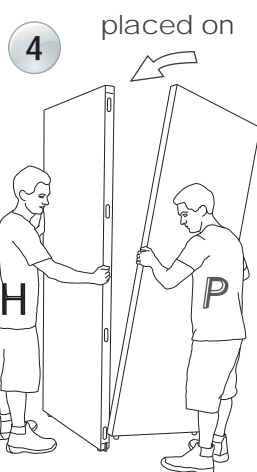
1. **NEVER** store the units in the upright position, in this position units can pull each other over when moved causing injury or damage.



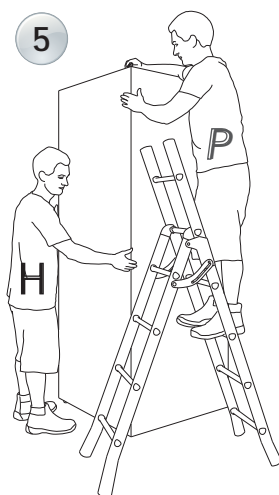
2. With the units on their sides the base clips can be easily attached to the main bracket and the Feet set to all the same depth.



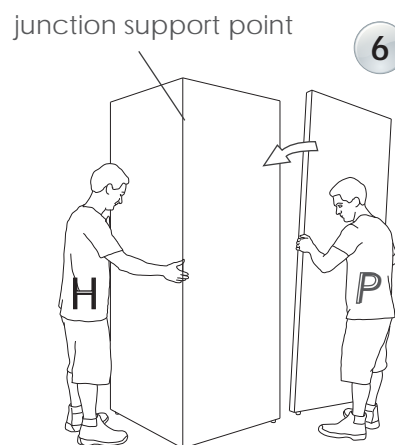
3. To make a layout the **PLACER** stands and positions each unit.



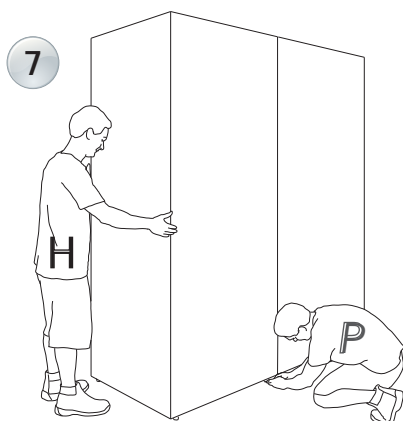
4. The **HOLDER** supports the layout whilst additional units are being added.



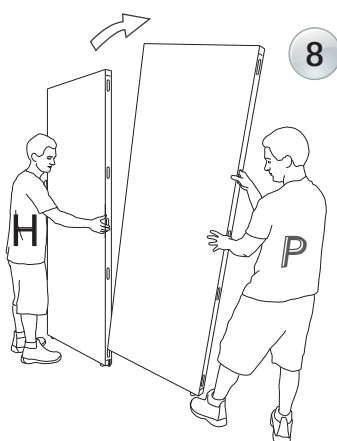
5. The top clip may be hammered down lightly to make sure it fits correctly.



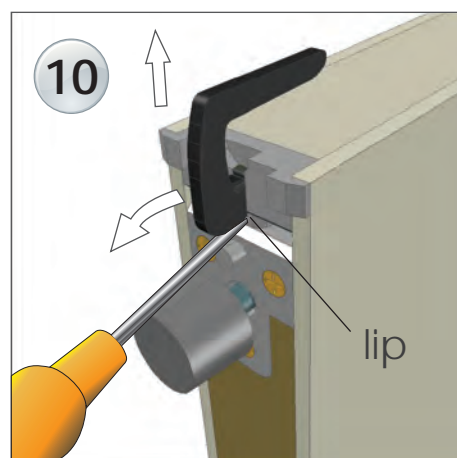
6. First make a junction support point so that a self-supported setup is created.



7. The feet must be adjusted during assembly so that all units sit firmly on the floor and all clips are fitted correctly.



8. Taking down of a layout follows the exact procedure to the assembly, but in reverse.

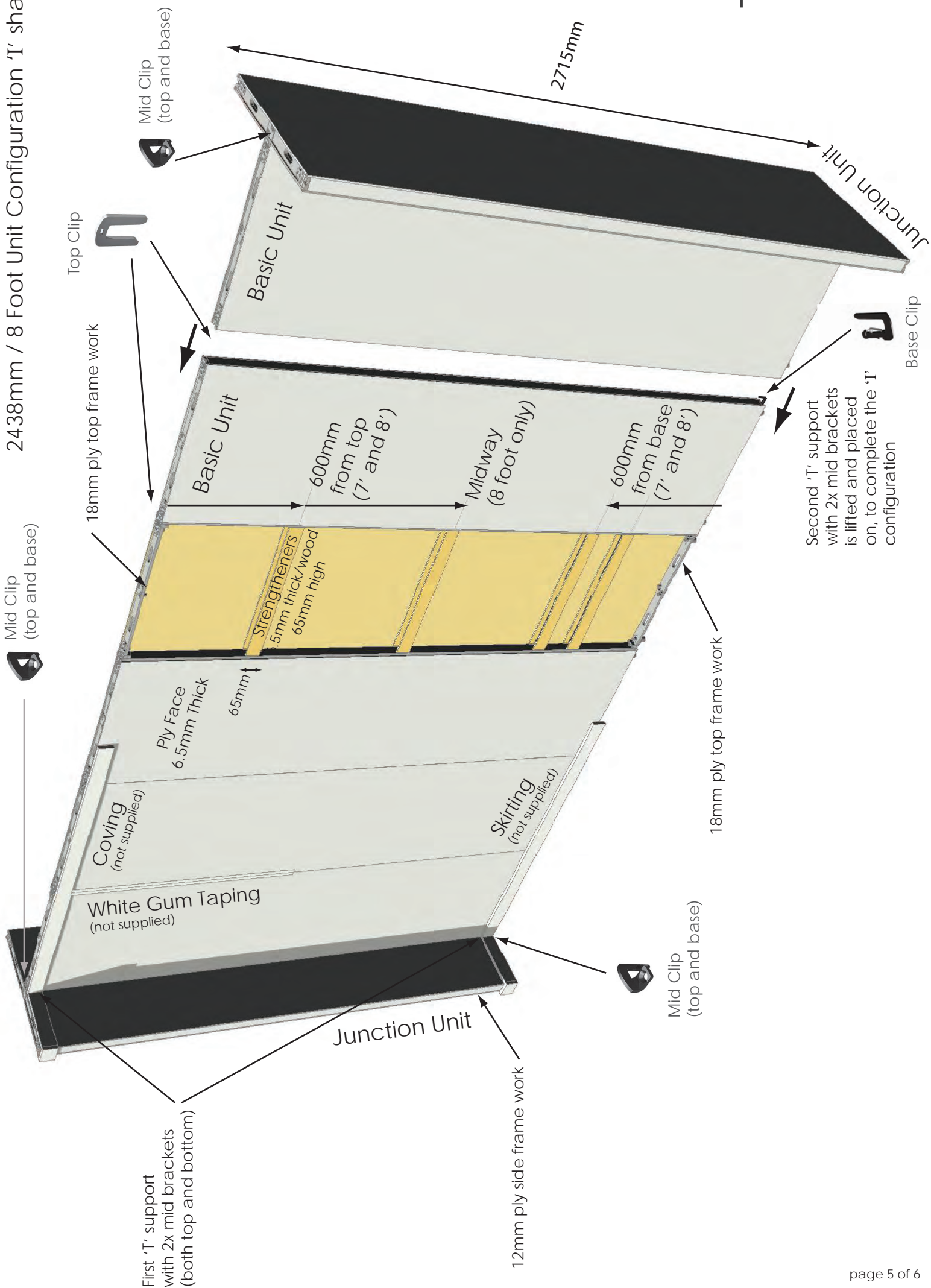


10. To remove Base Clips push them forward and insert a 5mm slot screw driver behind to lever it from under the lip of main bracket.



# Setup Guide.

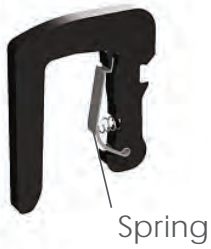
## 2438mm / 8 Foot Unit Configuration 'I' shape



# Component Guide.

Various clips are attached to the main brackets on the units to create a male to female joining system.

Base Clip



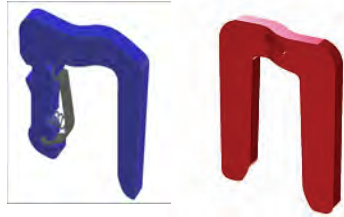
**BLACK**

Top Clip



**SILVER**

Corner Clips



colour: **BLUE/RED**

Mid Clip



colour: **BLACK**

Note: The Base and Top Clips may need to be hammered home lightly to fit correctly.

## Connect System Usage Rules Section.

Note: Before attempting to use or install Connect units - any persons involved must have read and understood these instructions and must agree to follow the rules stated below.

### Before attempting to use the Connect System:

1. Use at least two people when installing the system.
2. Always make sure everyone involved has read and fully understood these instructions.
3. Never use damaged or bent clips or brackets.

### Making the layout configurations - (Layout Guide Rules):

1. Only use the layout configurations suggested in the Layout Guide (Page 2).
2. Never allow units to stand on their own without a support.
3. Always start a layout by making a *Support Point*
4. Always use two Mid Brackets (top and base) when creating a 'T' or 'X' support with a junction unit.
5. Never use more than 5 units between support points.
6. Always ensure that a line of 4 or more units has a support point at both ends.
7. Only use single units for perpendiculars of *I* or *Fishbone* configurations
8. Only move individual units, do not attempt to move a whole or part of a layout.
9. Always ensure that all the grommet feet are adjusted to sit firmly on the floor.
10. Always ensure that all clips are correctly fitted, before and after layouts are to be used.

### Routine Maintenance

1. Periodically ensure that all clips have remained correctly fitted on a long standing layout.
2. If a layout gets knocked or moved always check that the brackets have remained fitted correctly.
3. Always keep an **up-to-date** copy of these instructions for training and the set-up of the units.
4. Always repair or replace any damaged or bent clips or brackets before using them.