

# connect60

v2.0 2023



INSTRUCTION BOOKLET  
for use with system60 system (Standard)

info@connectexhibitions.co.uk

tel: Ed - 07958 468 427/ 01227 719 743

Connect Exhibitions Ltd  
Unit 13, Canterbury Industrial Park  
Island Road, Hersden  
Canterbury, Kent  
CT13 4HQ



Base Spring Joiner



Spring

colour: **BLACK**

Top Joiner



colour: **SILVER**

Perpendicular Joiners



colour: **BLACK / SILVER**

Locking Plate



colour: **GOLD**

MID BRACKET KIT

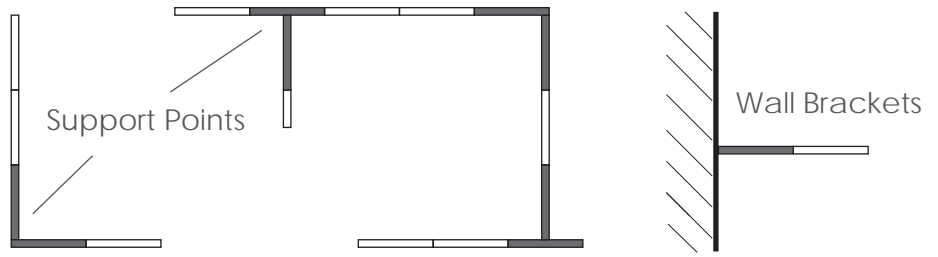


colour: **SILVER**

# Plan Guide.

(Always read and follow the RULES printed on page 5)

1. Layouts are made up of two or more units in combinations of "L", "T" or "I" configurations that have natural Support Points at their junctions in order for the units to stand by themselves.

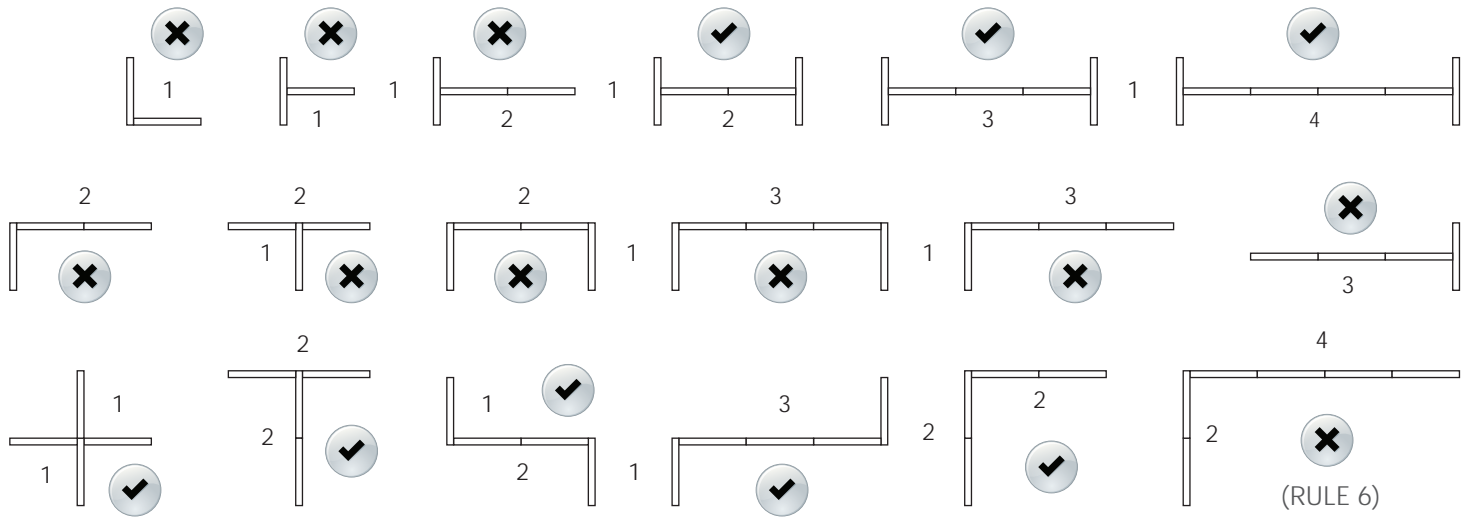


2. ONLY use combinations of the configurations marked with the with ✓ in your Layouts.

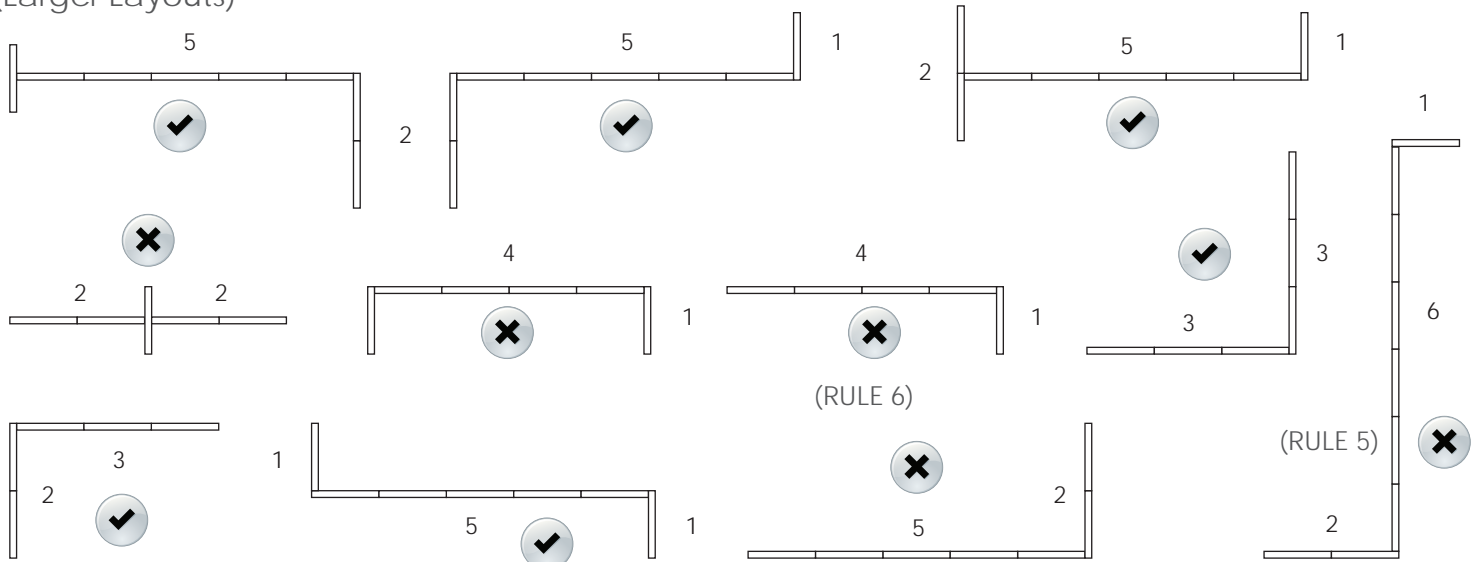


There are also Stands and Wall Brackets that can support the units.

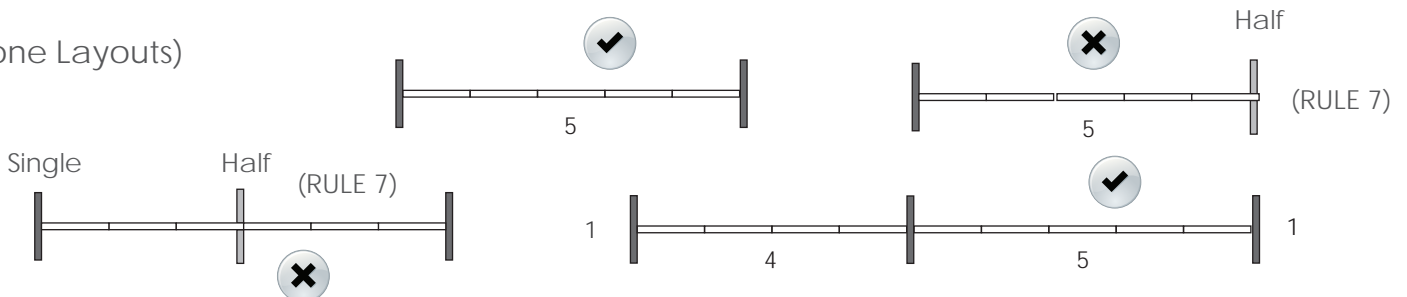
## (Small Layouts)



## (Larger Layouts)

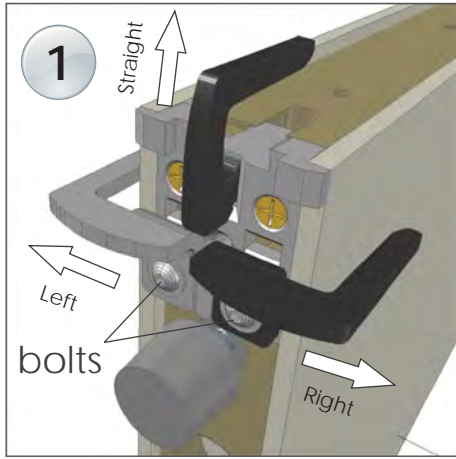


## (Fishbone Layouts)

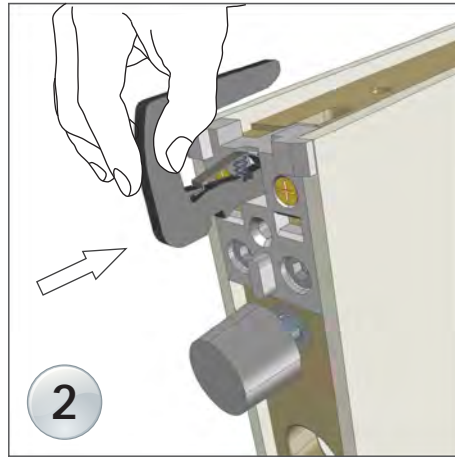


# Joiner Guide.

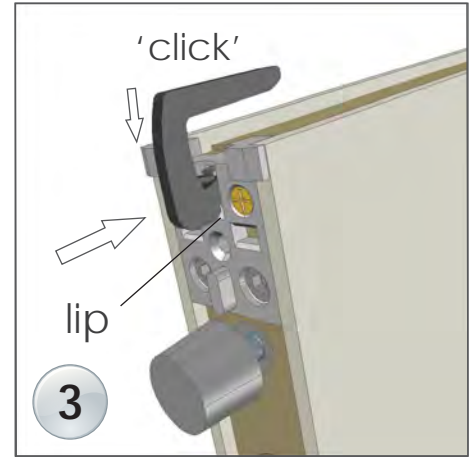
(Always read and follow the RULES printed on page 5)



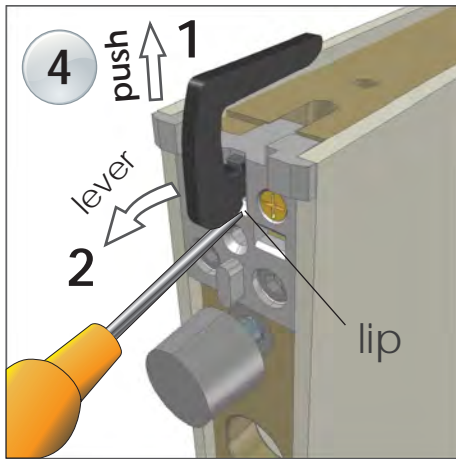
1. **THREE WAY BASE JOINERS:** The **Base Spring Joiner (BLACK)** and **Perpendicular Joiners (BLACK and SILVER)** can be attached to the **Main Bracket** at the base of a panel. **Perpendicular Joiners** allow connections to the left or right to the normally straight flow panel diection.



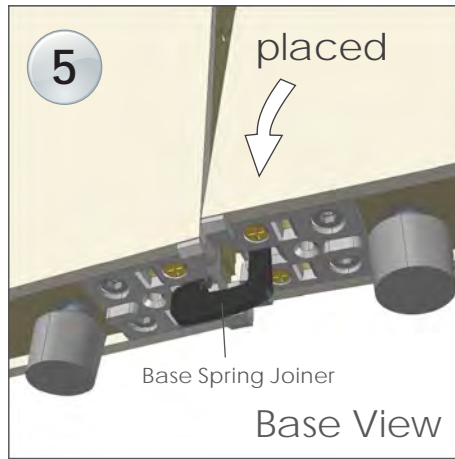
2. **FITTING THE BASE SPRING JOINER:** The **Base Spring Joiner (BLACK)** is inserted into the **Main Bracket** at the base of a panel, into the centre-front rectangular slot hole in the direction of the straight flow of wall. The use of a small hammer, may help, to tap the joiner into place.



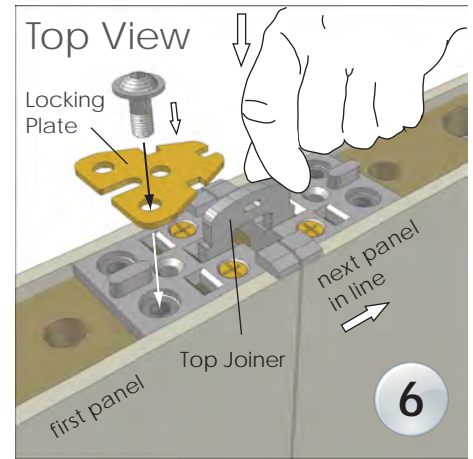
3. **LOCKING BASE SPRING JOINER:** The **Base Spring Joiner (BLACK)** clicks into place securely as it fits under the lip of the **Main Bracket**. Removal is in reverse and requires a flat headed screw driver to pry it out from this position.



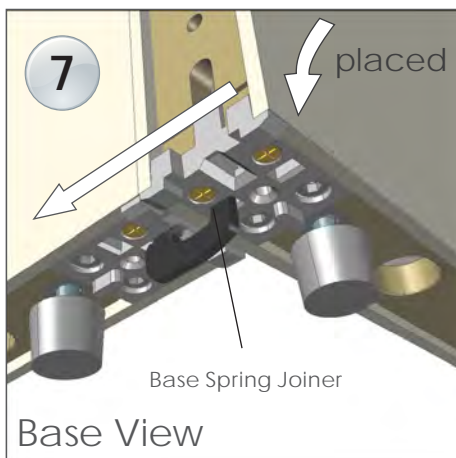
4. **REMOVAL OF BASE SPRING JOINER:** To remove the **Base Spring Joiner (BLACK)** a flat headed screw driver (5mm) is used to pry it out from this position - first **PUSH** the joiner forward and insert slot screw driver behind to **LEVER** it from under the lip of main bracket.



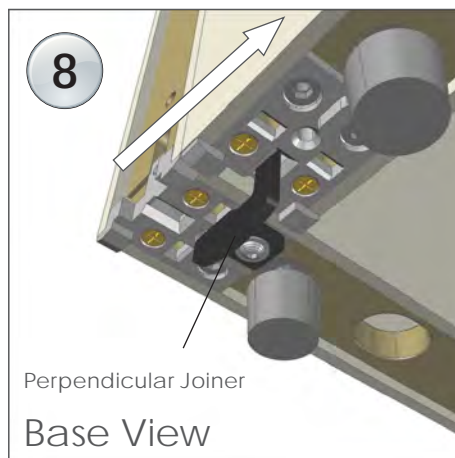
5. **STRAIGHT CONNECTION (BASE):** When a **Base Spring Joiner (BLACK)** has been successfully attached. Placing an additional panel carefully onto the joiner creates a straight connection. This image shows a 'straight-on' wall assembly.



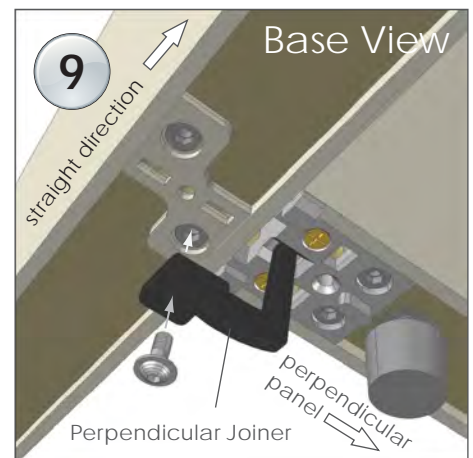
6. **CONNECTION (TOP):** After a panel in a layout has been placed onto a **Base Spring Joiner (BLACK)** or a **Perpendicular Joiner (SILVER / BLACK)**, a **Top Joiner (SILVER)** is fitted at the top into adjacent holes and can be secured into place by the **Locking Plate (GOLD)**.



7. **BASIC CORNER CONNECTION (BASE):** A Left or Right corner can be formed by just using the **Base Spring Joiner (BLACK)** in the straight-on configuration. The corner is then made flush by the use of the **End Blank Set (2-3 parts)** to mask off the sunken side of the perpendicular panel.



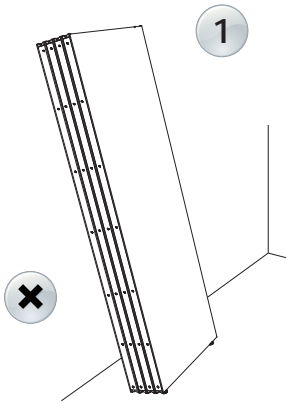
8. **CORNER CONNECTION (BASE):** A Left or Right corner can be formed by using a **Perpendicular Joiner (SILVER)** or a **Perpendicular Joiner (BLACK)**. The corner is then made flush by fixing an **End Blank Set (2-3 parts)** to mask off the sunken side of the perpendicular panel.



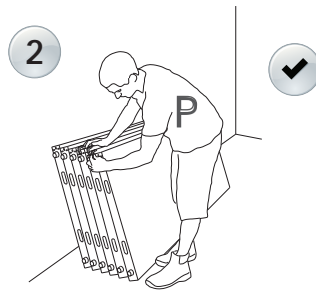
9. **PERPENDICULAR MID CONNECTION:** A **Perpendicular Joiner (BLACK)** is bolted onto the base **Mid Bracket**. The perpendicular panel is then placed into position and a **Top Joiner (SILVER)** is fitted at the top into adjacent holes, and can be secured by the **Locking Plate (GOLD)**.

# Setup Guide.

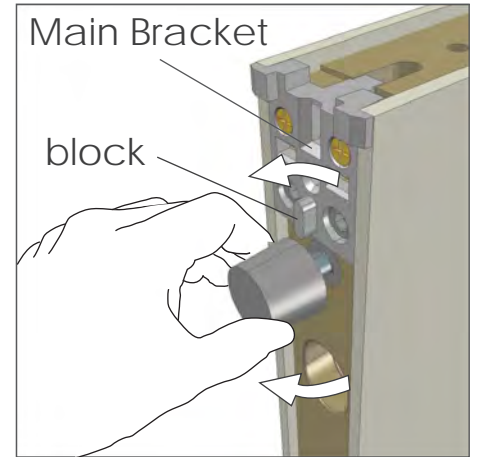
Before setting up a layout - There must be two people and they have two distinct roles to play - The '**HOLDER**' and the '**PLACER**'. (Always read and follow the **RULES** printed on page 5)



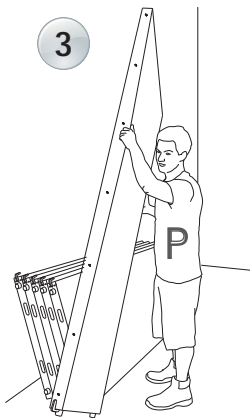
1. **NEVER** store the panels in the upright position, in this position units can pull each other over when moved causing injury or damage.



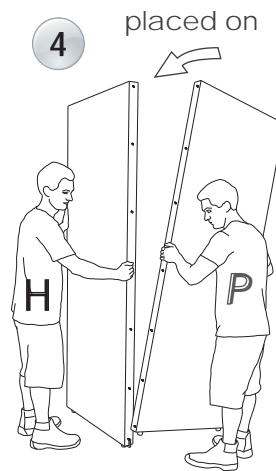
2. With the panels on their sides the base joiners can be easily attached to the main bracket and the **Feet (GREY)** set to all the same depth (see image right).



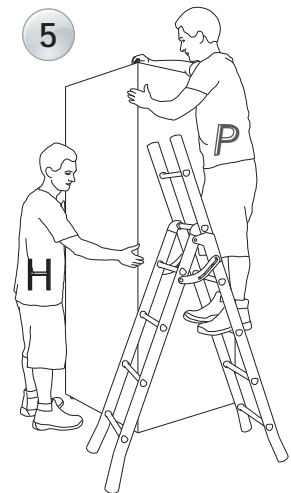
The **Feet (GREY)** are aligned to the block height on the **Main Brackets**.



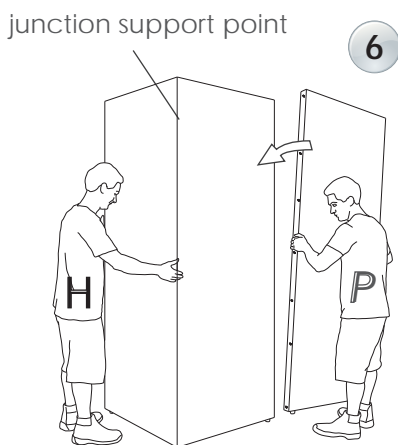
3. To make a layout the **PLACER** stands and positions each panel.



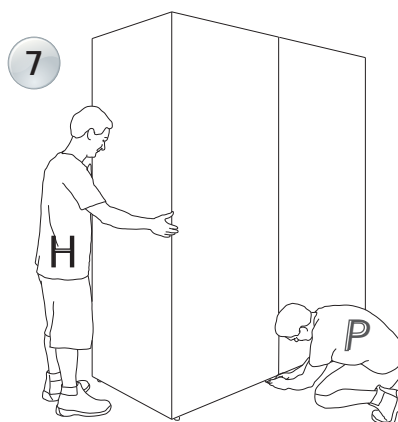
4. The **HOLDER** supports the layout whilst additional panels are being added.



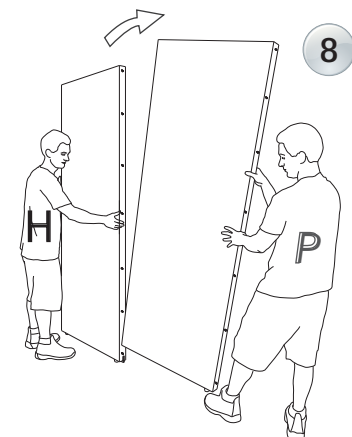
5. The **Top Joiner** may be hammered down lightly to make sure it fits correctly and the **Locking Plate (GOLD)** bolted securely.



6. First make a junction **support point** so that a self-supported setup is created.



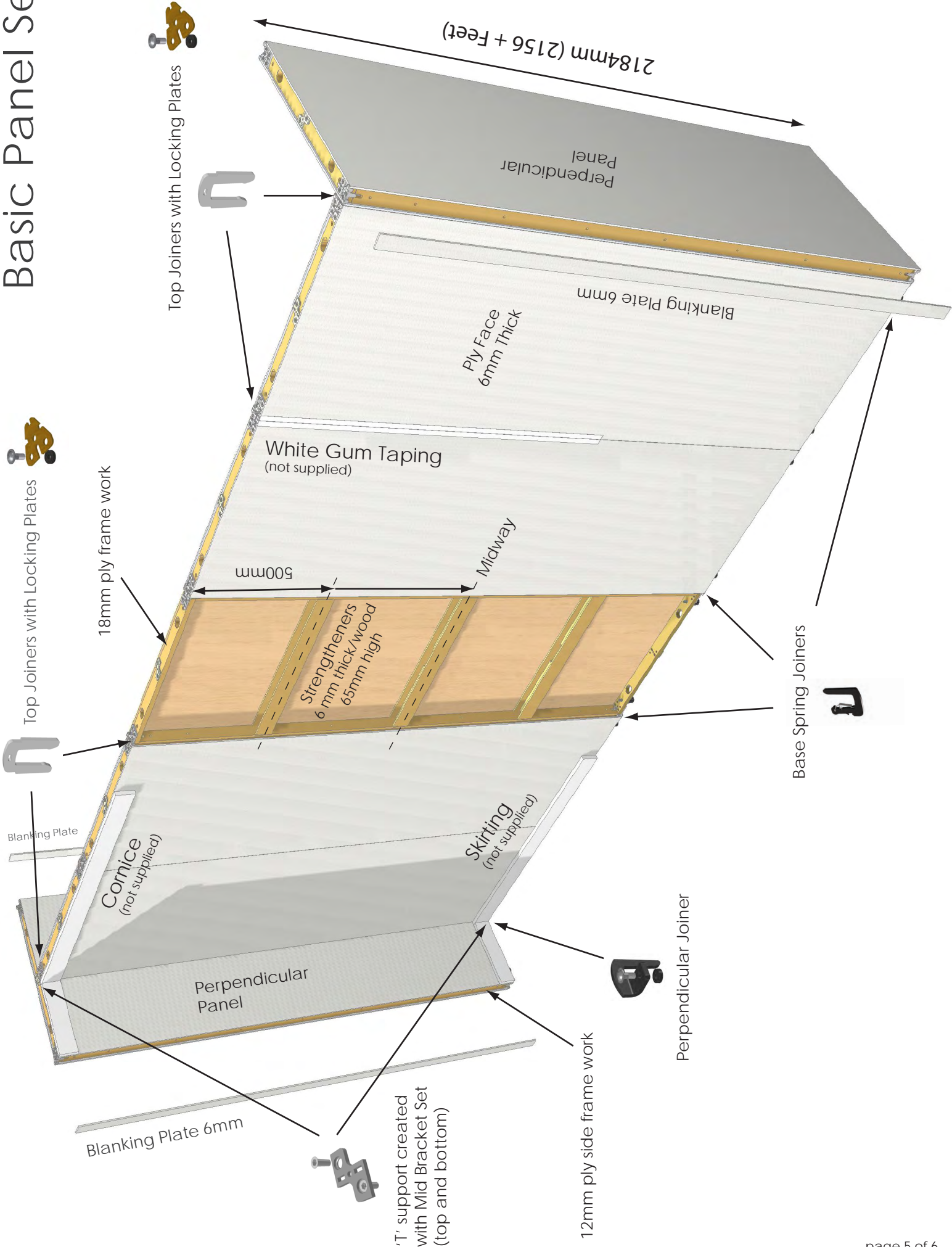
7. The **Feet (GREY)** must be adjusted during and after assembly so that all the panels sit firmly on the floor and all joiners can be fitted correctly.



8. Taking down of a layout follows the exact procedure to the assembly, but in reverse.

# Basic Panel Setup.

# Layout Guide.



# Term and Conditions.

## Connect System Usage Rules Section.

Note: Before attempting to use or install Connect panels - any persons involved must have read and understood these instructions and must agree to follow the rules stated below.

### Before attempting to use the Connect System:

1. Use at least two people when installing the system.
2. Always make sure everyone involved has read and fully understood these instructions.
3. Never use damaged or bent joiners or brackets.

### Making the layout configurations - (Layout Guide Rules):

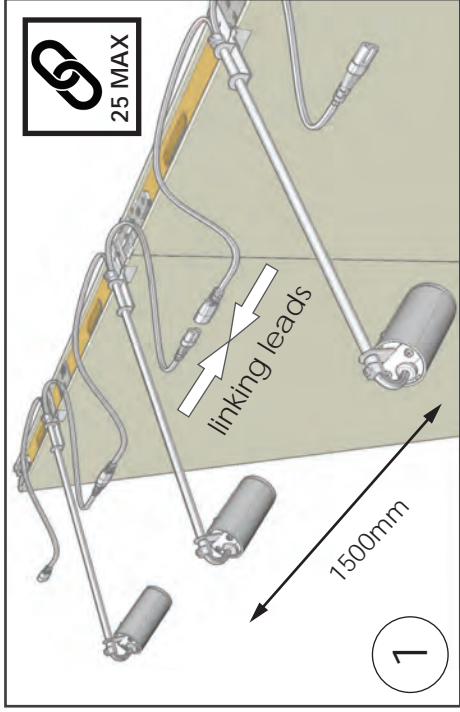
1. Only use the layout configurations suggested in the Plan Guide (Page 2).
2. Never allow units to stand on their own without a support.
3. Always start a layout by making a *Support Point*
4. Always use a Locking Plate (GOLD) to secure the Top Joiner in place.
5. Never use more than 5 units between support points.
6. Always ensure that a line of 4 or more units has a support point at both ends.
7. Only use single units for perpendiculars of *I* or *Fishbone* configurations
8. Only move individual units, do not attempt to move a whole or part of a layout.
9. Always ensure that all the Base Feet (GREY) are adjusted to sit firmly on the floor.
10. Always ensure that all joiners are correctly fitted, before layouts are to be left un-attended.

### Routine Maintenance

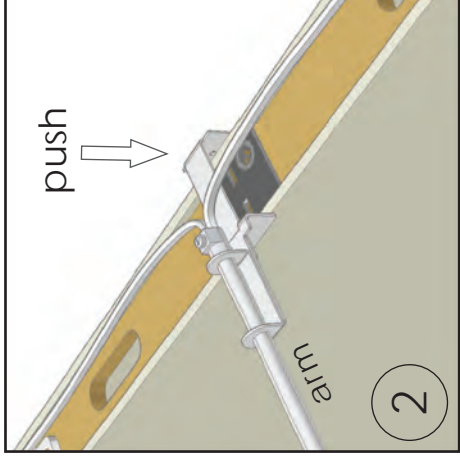
1. Periodically ensure that all joiners and brackets have remained correctly fitted.
2. If a layout gets knocked or moved always check that the joiner have remained fitted correctly.
3. Always keep an **up-to-date** copy of these instructions for training and the set-up of the units.
4. Always repair or replace any damaged or bent joiners or brackets before using them.

**Instructions for attaching to the Connect Wall System.**

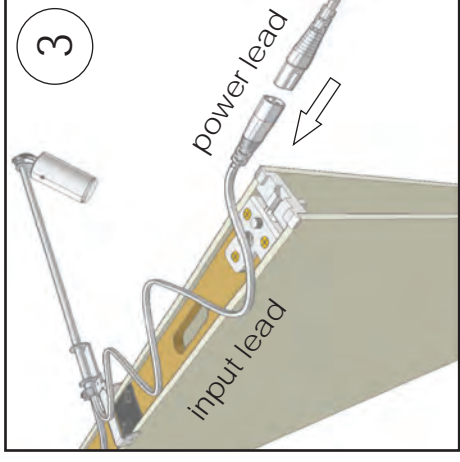
1. The Festoon Lights are linked together by simply joining the output lead from one light to the input lead of another. A Maximum of 25 lights can be joined in one continuous chain. The linking leads allow upto 1500mm of space between lights.



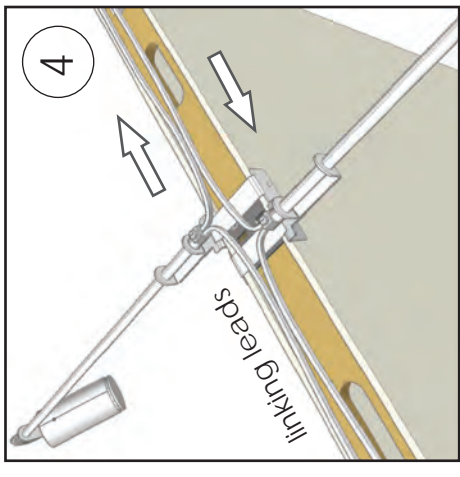
2. When Fitted with the 'Connect Wall Bracket' (60mm/18mm) 'The Festoon Light' can then be placed and push-fitted onto the top of your Connect Walling. A slight adjustment by bending/closing of the bracket gap will ensure a tight fit.



3. The power lead (purchased separately) connects to the EC/C8 input lead of the first Festoon Light to an electrical supply. The use of various 'extensions / adapters / power cables that have a IEC/C7 output end to a 3A 3-pin UK plug, supplies the power.



4. Double sided wall lighting should first go along one side of wall and then return on the other side. After linking all the lighting units all the cables should be tidied up using standard plastic cable clips and ties.



**Additional Leads and Connectors used:**

**Supplied by Connect Exhibitions Ltd:**

1. IEC - C14 to C15 Extension Lead (10m).
2. C8 to C15 Adapter.
3. Fused A3 UK 3 pin plug to IEC - C15 Power Lead (0.5m).
4. Fused A3 UK 3 pin plug to IEC - C7 Power Lead (10m).
5. 2 pin EU to IEC - C7 Power Lead (10m).
6. IEC - C7 to C8 Extension Lead (between linked light units)(2m).

**Suggested - supplied by 3rd party companies:**

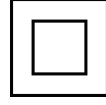
1. RCD unit (safety/surge automatic cut-off for wall plug supply).

Connect Exhibitions Ltd  
Unit 13, Canterbury Industrial Park,  
Island Road, Hersden,  
Canterbury, Kent, CT3 4HQ (UK)

**connect**

tel: +44 (0)8450 170 820 / +44 (0)1227 719 743

[www.connectexhibitions.co.uk](http://www.connectexhibitions.co.uk)



GU10 / 8W Max